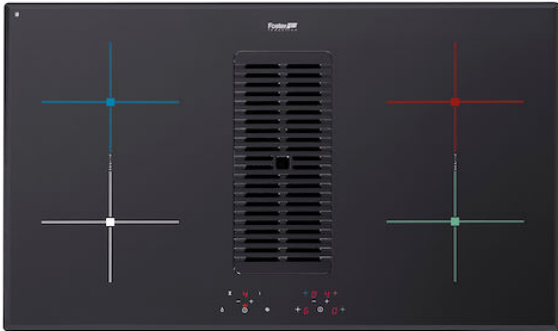


Cooker hob Foster Milano Air



Induction Hobs

Code: 7391 245



DETAILS

Coloring	Black
Material	Ceramic glass
Dimensions	860x530 mm
Full description	Hoods Foster Milano heating element four zones, edge/installation type bevelled edge - for flush-mount (ft) or over-mount (fts) installation
Heating element	Four zones
Operation	Suction hood (filtering mode with optional carbon filters)
Suction speed	6 suction speeds (4 + 2 intensive)
Air flow rate	680 mc/h
Built-in hole	View technical data sheet

Grids Cast iron grids and enamelled burner covers

Width 86 cm

Total power 7.400** W

2 front areas Ø 160 mm - 1.200 (1.600)* W

2 rear areas Ø 200 mm - 2.300 (3.000)* W

2 extended Bridge areas 3.700 W

Energy class A++

Power settings 9 power settings per zone + Powerboost

Safety Safety equipment

Type Induction Hob

Type of commands Touch Control

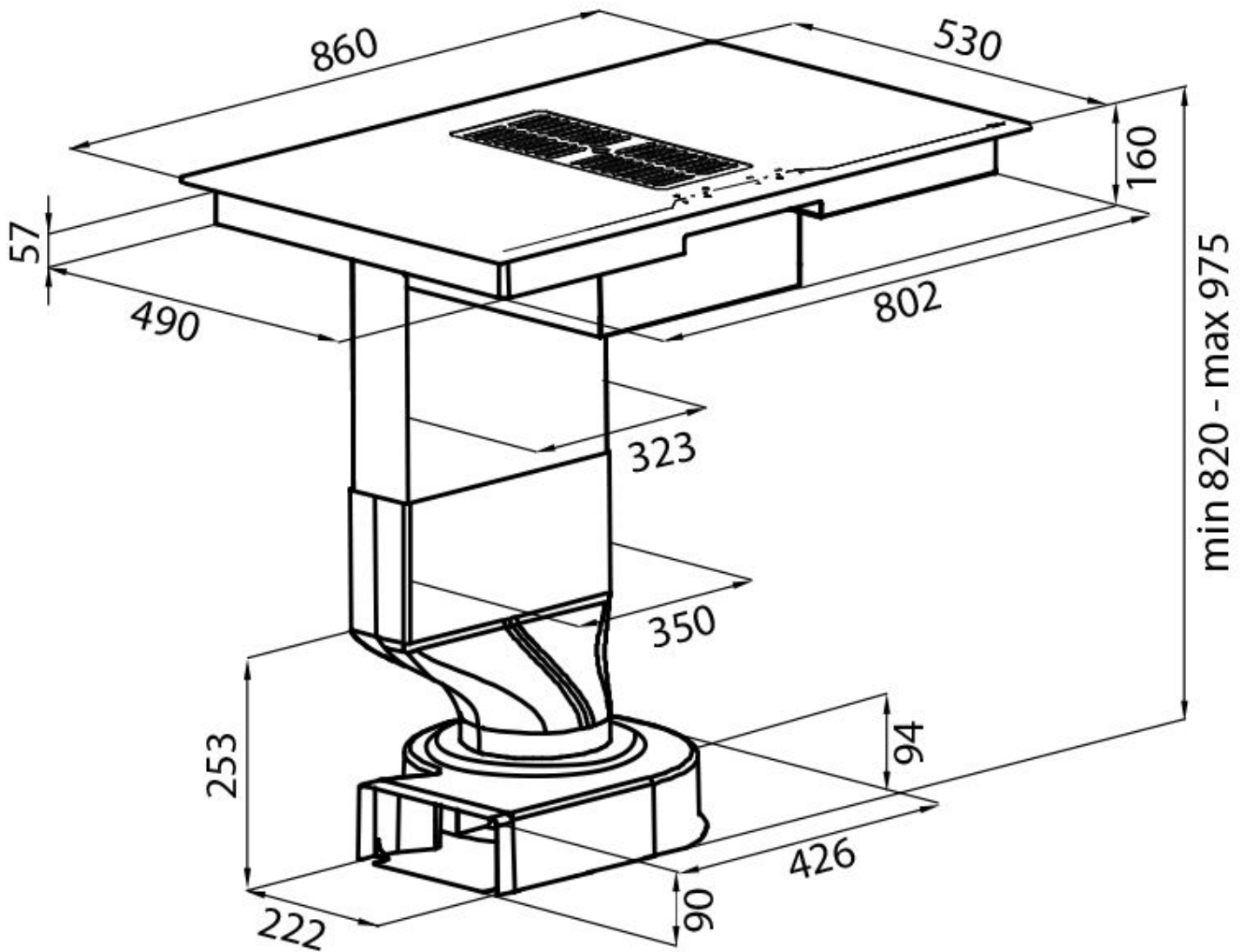
Notes: **With the function PowerControl, maximum power can be set on the user to the listed values
*PowerBoost

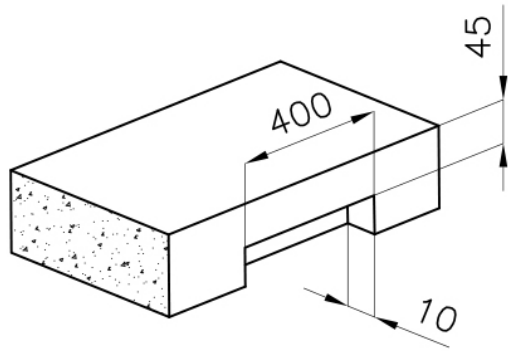
Notes: 2 washable grease filters;
Automatic delayed shutdown;
Grease and carbon filter saturation warnings;
Optional filtering operation with carbon filters.

FEATURES

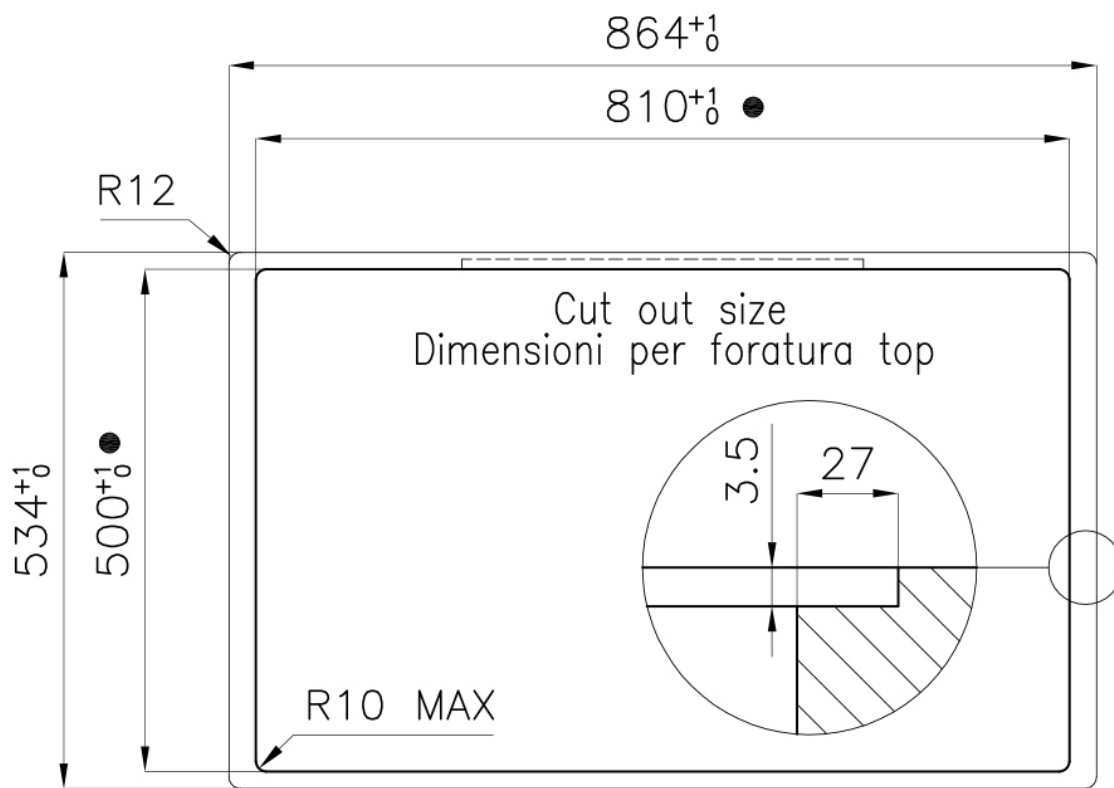
Powerboost	Booster function provides increased power to the selected plate. In particular, when the Booster is activated, the plate works for ten minutes at a very high power that allows to heat quickly large quantities of water.
Pot detector	All induction cooker hobs detect the pot resting on them, but they also calculate the area they cover. This system allows the energy to be used even more efficiently. Moreover, the plates switch off automatically when the pot is removed.
Smart fan system	Correct ventilation is essential for the induction hob to function in the best possible way. The Foster system automatically regulates the amount of ventilation to suit the temperatures reached.
Safe cooking	All Foster cooker hobs are equipped with safety valves. They shut off the gas supply very quickly if the flame accidentally goes out.
End-of-cooking programming	All operations are programmed by means of the touch-control on the glass itself. Each cooking plate is capable of independent programming, and thus the possibility to set different cooking times.
Timer	Independent timer from the end-of-cooking function.
Power control function	PowerControl function allows the use of induction technology also in case of household maximum power as low as 3 kW. The maximum power can indeed be self-limited to the desired level to a minimum of 2.8 kW. Once the maximum power is set, we can forget about the absorbed energy because Foster induction hob will give us a warning about possible limitations, allowing to choose how to allocate the available energy. The hob can be easily reprogrammed at any time to modify or remove the power limit.
Bridge zone	The new cooktops with Bridge function allow to associate two zones forming a single extended cooking zone for pots of large size, or for more than one cooking simultaneously, with maximum flexibility in pot positioning. With the additional Double Booster feature provided by all Bridge cooktops, the exceptional 3700 W power can be concentrated on a single plate or made available uniformly over the enlarged area.

TECHNICAL DATA



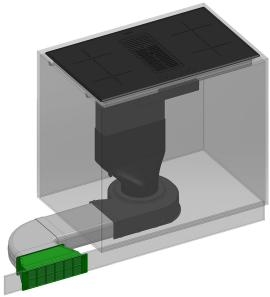
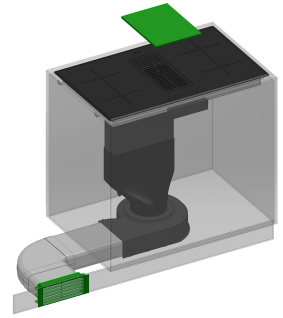
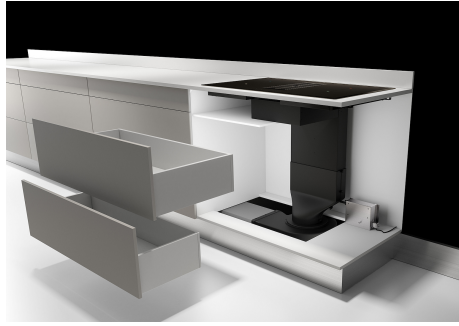


Intaglio solo con top > 30 mm
Recess only for top > 30 mm



● Built-in cut out for FTS – Foratura per installazione FTS

GALLERY



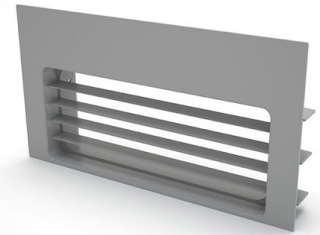
OPTIONAL ACCESSORIES



Carbon filter
9700 574



Carbon filter
9700 529



Grid for plinth gray color
9700 539



Horizontal 15° Corner connector - rectangular section
9700 536



No-return valve
9700 538



Rectangular/round adapter
9700 537



White connector - rectangular section
9700 533



White flexible tube with rectangular section
2541 000



White Horizontal 90° Corner connector - rectangular section
9700 534



White tube - rectangular section
9700 532



White Vertical 90° Corner connector - rectangular section
9700 535

RECOMMENDED PAIRINGS



Sink Foster Milano

1017 050